



Dome Mechanical Seal Fiber Optic Splice Closure(FOSC)

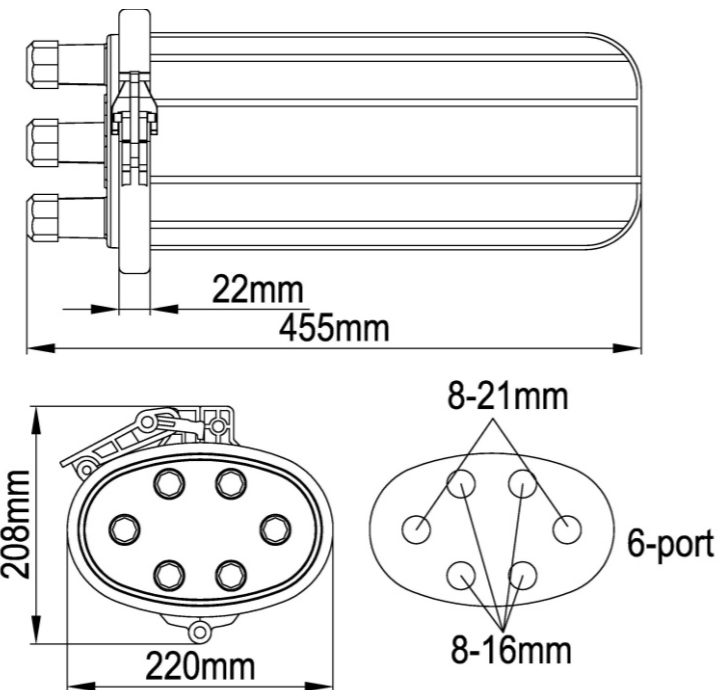
Features

- Advanced internal structure design
- Easy and fast to fix fiber cable
- Fiber suffers no attenuation
- The closure is spacious enough for winding and storing fibers
- Fiber Optic Splice Trays(FOSTs) are design in SLIDE-IN-LOCK and its opening angle is about 90°
- The curved diameter meets with international standard
- Easy and fast to increase and reduce FOSTs
- Innovative elastic intergrated seal fitting

Applications

- ◆ Suitable for bunchy & ribbon fibers
- ◆ Underground, wall-mounting, hand hole-mounting, Pole-mounting and duct-mounting

Structural Drawing



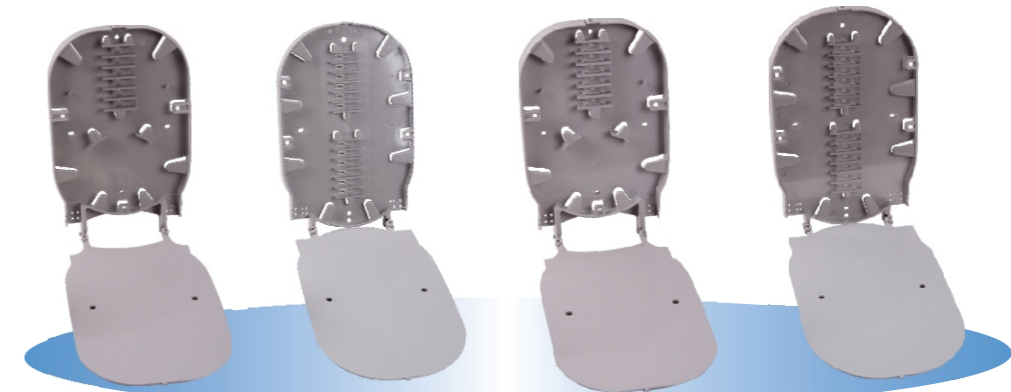
GJS-8006

Dome Mechanical Seal Fiber Optic Splice Closure(FOSC)



Ordering Information

Optical Splice Trays



#025 205X135X11mm #027 215X140X11mm #026 205X135X11mm #028 215X140X11mm

Type	Fibers/Tray	Max. Capacity	Tray#	Suitable Cable Dia. allowed(mm)
GJS-8006 I(Bunchy)	12-24F	144	025	4 round ports:16mm 2 round ports:21mm
GJS-8006 II(Bunchy)	24-48F	288	027	
GJS-8006 III(Ribbon)	72F	432	026	
GJS-8006 IV(Ribbon)	144F	864	028	

Accessories

Standard Accessories:

No.	Name	Quantity	
1	Heat shrinkable protective sleeve	1 bag	
2	Nylon tie	1 set	
3	Earthing wire	1 pc	

No.	Name	Quantity	
4	Special wrench	2 pcs	
5	Desiccant	2 bags	
6	Labeling paper	1 pc	

Optional Accessories:

No.	Name	Quantity	
1	Pressure testing valve	1 pc	
2	Earthing deriving device	1 pc	
3	Buffer tube for bunchy fiber	1 roll	

No.	Name	Quantity	
4	Wall mounting bracket	1 set	
5	Metal hoop	1 set	
6	Buffer tube for ribbon fiber	1 roll	