



Fiber Optic Splitter Closure



GJS-2006

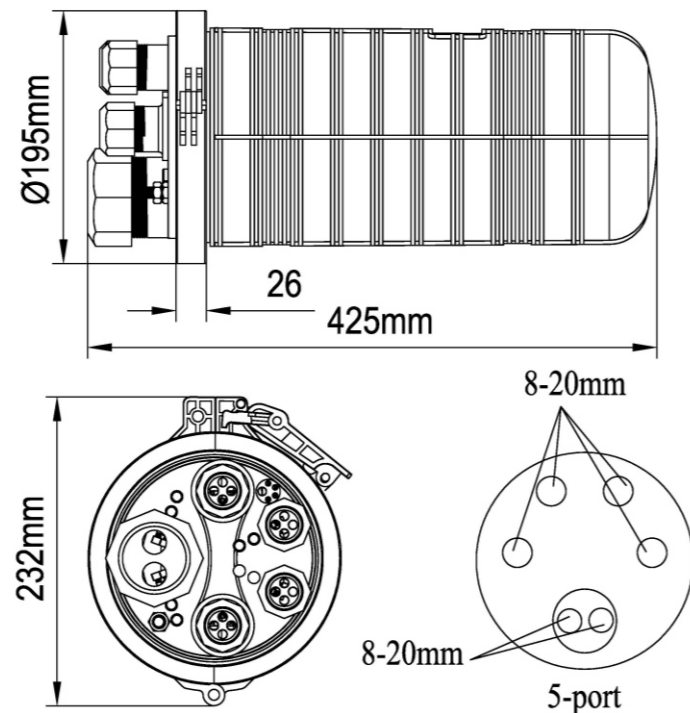
Features

- The closure adopts mechanical sealing structure. There is one oval shaped cable port entrances in base. The big entrance is used for the sealing of uncut straight-through fiber cable, the small ports are used for branch fiber cable and drop cable.
- To adopt engineering PC plastic with high-strength to make the closure has longer life time and excellent sealing performance.
- It can be installed two 1:8 bare PLC splitter.
- There are different drop cable elements to be chosen (Φ5, Φ7, 2*3). Max. 16pcs drop cable input/output (special type can be customized).
- The patented sealing structure keep good sealing performance after re-entry and re-using.
- It could save the installation time and improve work efficiently.

Applications

- ◆ Suitable for bunchy & ribbon fibers
- ◆ Aerial, underground, wall-mounting, hand hole-mounting Polet-mounting and duct-mounting
- ◆ It's especially applicable to FTTH optical fiber distribution

Structural Drawing

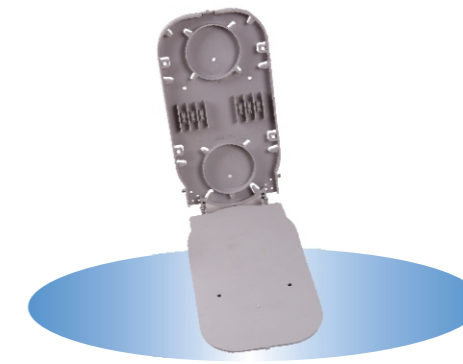


Fiber Optic Splitter Closure



Ordering Information

Optical Splice Trays



Splice Tray(050#)
220X120X11.3mm

Type	Splice Tray Capacity	Max. Capacity
GJS-2006(Bunchy)	4pcs splice tray(12-24 per tray)	96 cores

Accessories

Standard Accessories:

No.	Name	Quantity	
1	Seal tape	1 roll	
2	Insulation tape	1 pc	
3	Abrasive cloth	1pc	
4	Earthing wire	2sets	
5	Nylon tie	1set	

No.	Name	Quantity	
6	Heat shrinkable protective sleeve	1 bag	
7	Desiccant	2 bags	
8	Special wrench	2 pcs	
9	Hose clamp I	6pcs	
10	Hose clamp II	2 pcs	

Optional Accessories:

No.	Name	Quantity	
1	Pressure testing valve	1 pc	
2	Earthing deriving device	1 pc	
3	Buffer tube for bunchy fiber	1 roll	
4	Aerial mounting	1 set	

No.	Name	Quantity	
5	Metal hoop	1 set	
6	Metal wrench (large size)	1 pc	
7	Wall mounting	1 set	
8	Pole mounting	1 set	